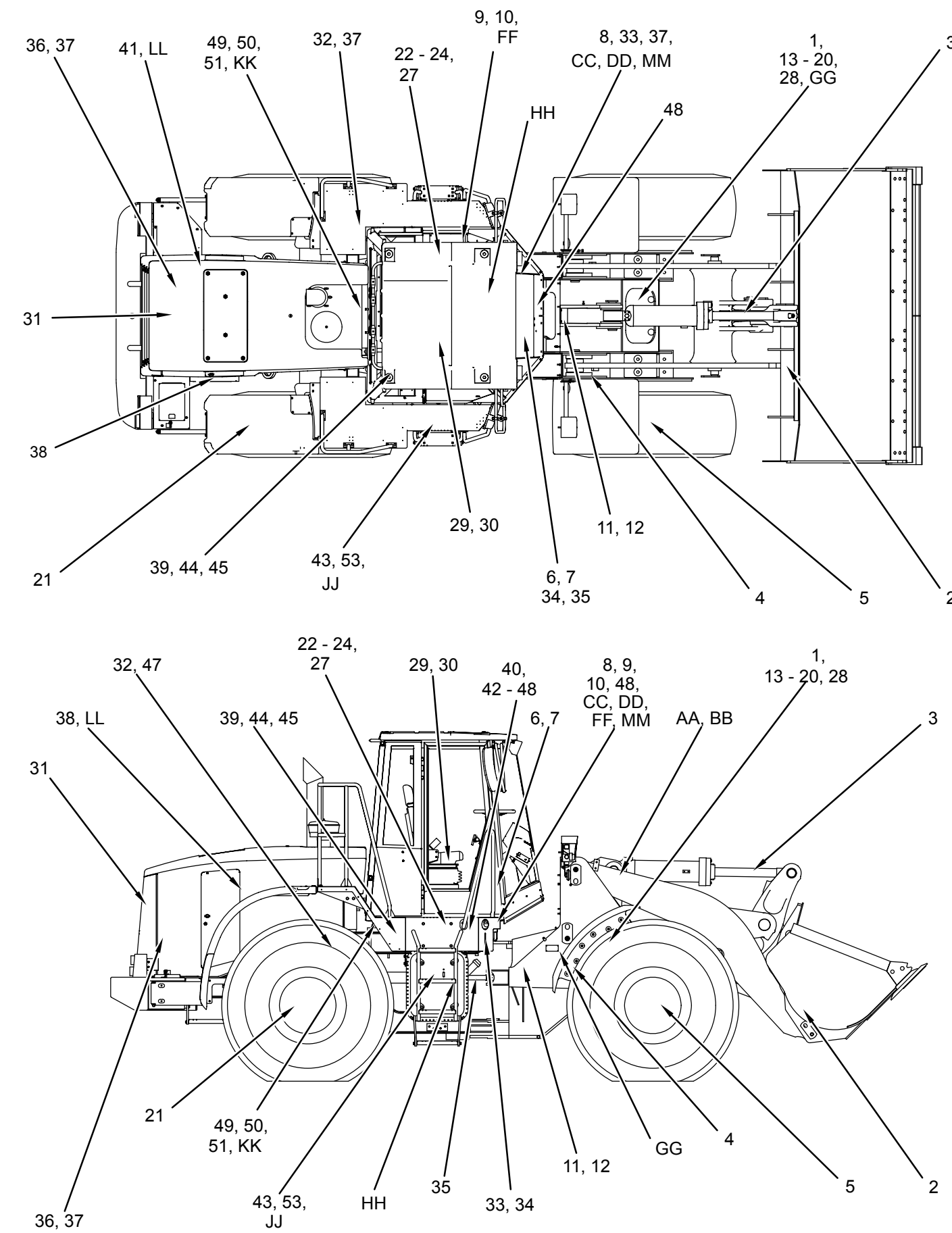
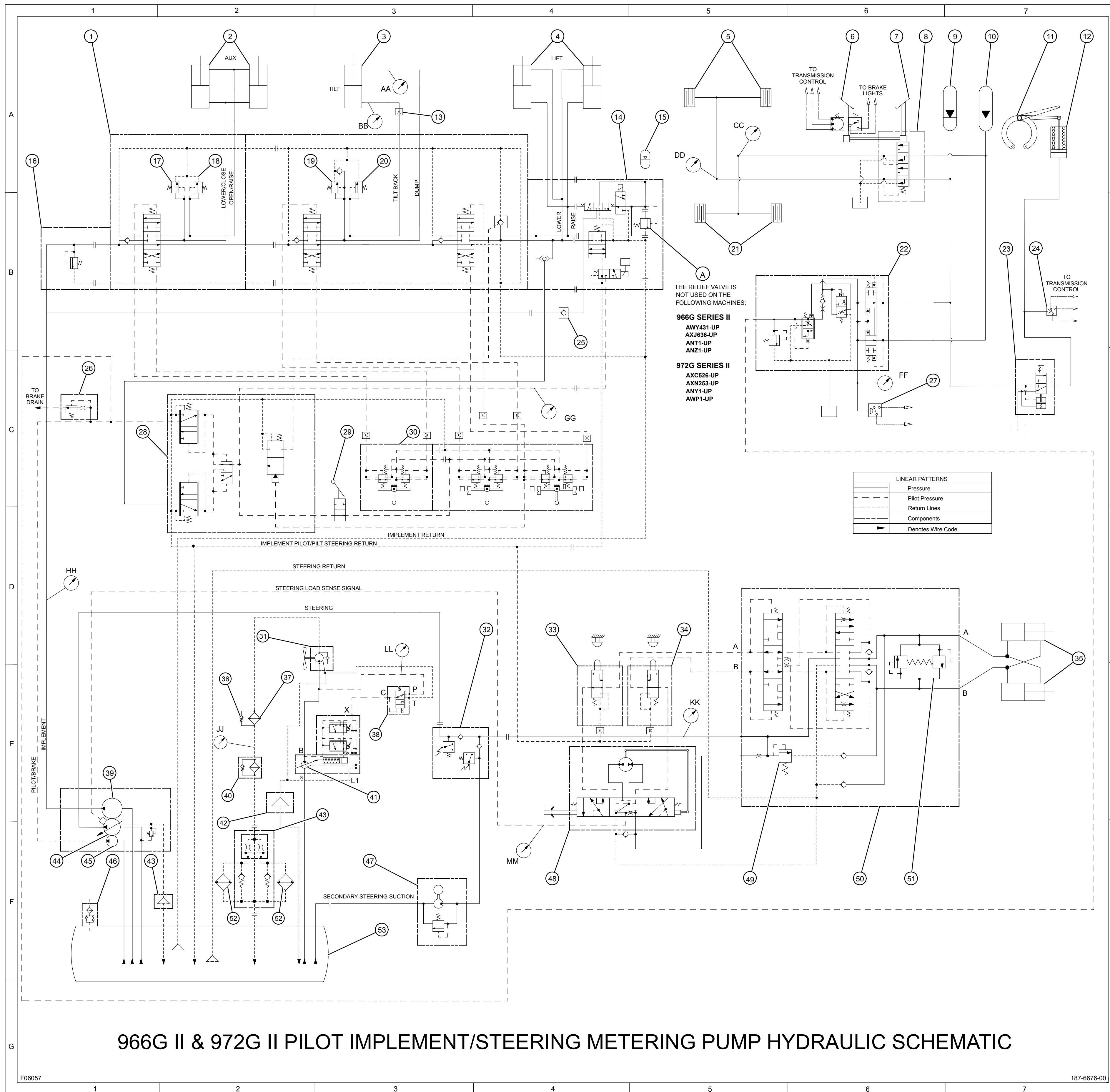


Schematic

966G & 972G Series II Wheel Loader Hydraulic System

AWY1-UP AXJ1-UP ANT1-UP ANZ1-UP
 AXC1-UP AXN1-UP ANY1-UP AWP1-UP
 AXE1-UP AXL1-UP AXP1-UP AWZ1-UP



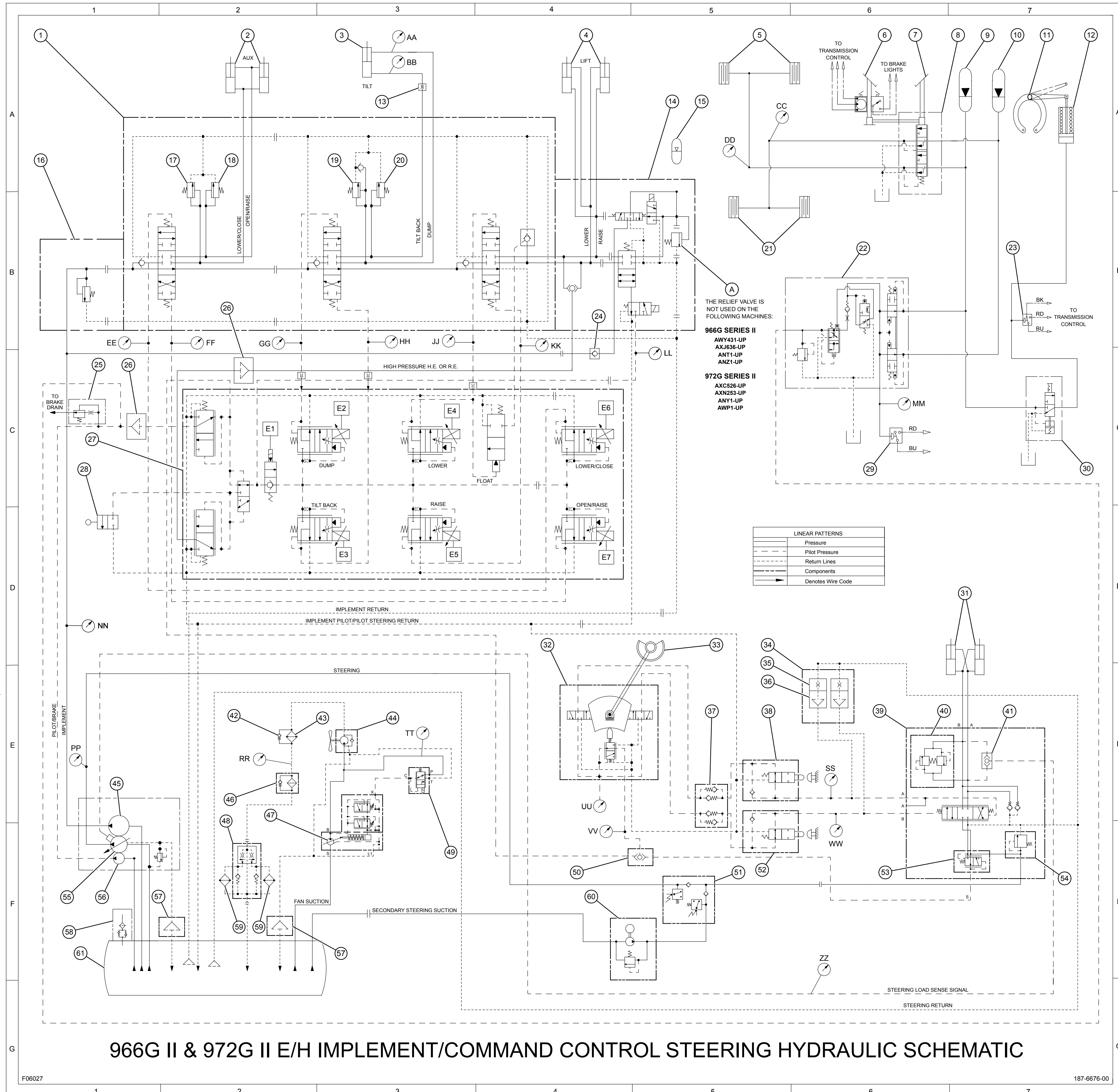
© 2006 Caterpillar
All Rights Reserved

Printed in U.S.A.

Chart A 966G II and 972G II Hydraulic Component Locations			Chart A 966G II and 972G II Hydraulic Component Locations		
Item No.	Component	Schematic Location	Item No.	Component	Schematic Location
1	Main Control Valve %	A1	27	Service Brake Oil Pressure Switch	C6
2	Auxiliary Cylinders @	A2	28	Pilot Valve (Oil Mandrel)	C1
3	Tilt Cylinder	A3	29	Ball Valve (Hydraulic Level Lock)	C3
4	Lift Cylinders	A4	30	Pilot Control Valve	C3
5	Front Service Brakes	A5	31	Fan Drive Motor	F2
6	Left Pedal Assembly	A6	32	Secondary Steering Valve *	D4
7	Right Pedal Assembly	A6	33	Left Steering Neutralizer Valve	D4
8	Service Brake Control Valve	A6	34	Right Steering Neutralizer Valve	D5
9	Front Service Brakes Accumulator	A6	35	Steering Cylinders	D7
10	Rear Service Brakes Accumulator	A7	36	Hydraulic Oil Cooler Bypass Valve	E2
11	Parking Brake	A7	37	Hydraulic Oil Cooler	E2
12	Parking Brake Actuator	A7	38	Electro Hydraulic Control	E3
13	Clutch	A3	39	Implement Pump	E1
14	Ride Control Diverter Valve #	A4	40	Hydraulic Oil Filter	E2
15	Ride Control Accumulator #	A5	41	Fan Drive Pump	E2
16	Main Relief Valve	A1	42	Screen Group	E2
17	Line Relief Valve (Aux. Cylinder Head End) @	A2	43	Flow Divider Valve (Brake Oil Cooler)	F1
18	Line Relief Valve (Tilt Cylinder Rod End) @	A2	44	Steering Pump	F1
19	Line Relief Valve (Lift Cylinder Rod End)	A3	45	Pilot/Brake Pump	F1
20	Line Relief Valve (Tilt Cylinder Rod End)	A3	46	Breaker Relief Valve	F3
21	Rear Service Brakes	B5	47	Secondary Steering Pump and Electric Motor*	F4
22	Accumulator Charging Valve	B6	48	Steering Metering Pump	F5
23	Parking Brake Control Valve	B7	49	Steering Backup Relief Valve	F5
24	Parking Brake Pressure Switch	B4	50	Steering Control Valve	F6
25	Check Valve	B4	51	Steering Crossover Relief Valve	F6
26	Check Valve	C1	52	Brake Oil Cooler	F2
			53	Hydraulic Oil Tank	F2

Ride Control is an optional attachment.
 @ Auxiliary Cylinders are an optional attachment.
 * The one stem valve (third function) is an optional attachment field conversion.
 The two stem valve is standard.
 The three stem valve is an optional attachment.

Chart B 966G II and 972G II Hydraulic Pressure Tap Locations		
Pressure Tap	Description	Schematic Location
AA	Tilt Cylinder Rod End Pressure	
BB	Tilt Cylinder Head End Pressure	A3
CC	Rear Service Brake Pressure	
DD	Front Service Brake Pressure	A5
FF	Service Brake Accumulator Pressure	C6
GG	Implement Pilot Pump Pressure	C4
HH	Implement Pump Pressure	D1
JJ	Fluid Sampling Valve	E2
KK	Steering Pump Pressure	E5
LL	Fan Drive Pump Pressure	E3
MM	Steering Signal Pressure	F4



966G II & 972G II E/H IMPLEMENT/COMMAND CONTROL STEERING HYDRAULIC SCHEMATIC

Chart C
966G II and 972G II Hydraulic Component Locations

Item No.	Component	Schematic Location
1	Main Control Valve %	A1
2	Auxiliary Cylinders @	A2
3	Tilt Cylinder	A3
4	Lift Cylinders	A4
5	Front Service Brakes	A5
6	Left Pedal Assembly	A6
7	Right Pedal Assembly	A6
8	Service Brake Control Valve	A6
9	Front Service Brakes Accumulator	A7
10	Rear Service Brakes Accumulator	A7
11	Parking Brake	A7
12	Parking Brake Actuator	A7
13	Orifice	A3
14	Ride Control Diverter Valve #	A5
15	Ride Control Accumulator #	A5
16	Main Relief Valve	A1
17	Line Relief Valve (Aux. Cylinder Head End) @	A2
18	Line Relief Valve (Aux. Cylinder Rod End) @	A2
19	Line Relief Valve (Tilt Cylinder Rod End)	A3
20	Line Relief Valve (Tilt Cylinder Head End)	A3
21	Rear Service Brakes	B5
22	Accumulator Charging Valve	B6
23	Parking Brake Pressure Switch	B7
24	Check Valve	C4
25	Check Valve	C4
26	Screen Group	C1
27	Pilot Valve (Oil Manifold)	C1
28	Lowering Control Valve	C6
29	Service Brake Oil Pressure Switch	C6
30	Parking Brake Control Valve	C7

Ride Control is an optional attachment.
@ Auxiliary Cylinders are an optional attachment.
% The one stem valve (third function) is an optional attachment field conversion.
The two stem valve is standard.
The three stem valve is an optional attachment.

Chart C
966G II and 972G II Hydraulic Component Locations

Item No.	Component	Schematic Location
31	Steering Cylinders	D7
32	Steering Pilot Valve	D4
33	Steering Wheel	D5
34	Manifold (Orifice and Screen)	D5
35	Orifice	D5
36	Screen	D5
37	Check Valve	E5
38	Left Steering Neutralizer Valve	E6
39	Steering Control Valve	E6
40	Steering Crossover Relief Valve	E6
41	Shuttle Valve	E7
42	Hydraulic Oil Cooler Bypass Valve	E2
43	Hydraulic Oil Cooler	E3
44	Fan Drive Motor	E3
45	Implement Pump	E1
46	Hydraulic Oil Filter	E2
47	Fan Drive Pump	F3
48	Flow Divider Valve (Brake Oil Cooler)	F2
49	Electro-hydraulic control	E3
50	Shuttle Valve	F4
51	Secondary Steering Valve *	F5
52	Right Steering Neutralizer Valve	F5
53	Pressure Reducing Valve	F6
54	Steering Backup Relief Valve	F7
55	Steering Pump	F1
56	Pilot/Brake Pump	F1
57	Screen Group	F1
58	Breaker Relief Valve	F2
59	Brake Oil Cooler	F2
60	Secondary Steering Pump and Electric Motor*	F4
61	Hydraulic Oil Tank	F1

*Secondary Steering is an optional attachment.

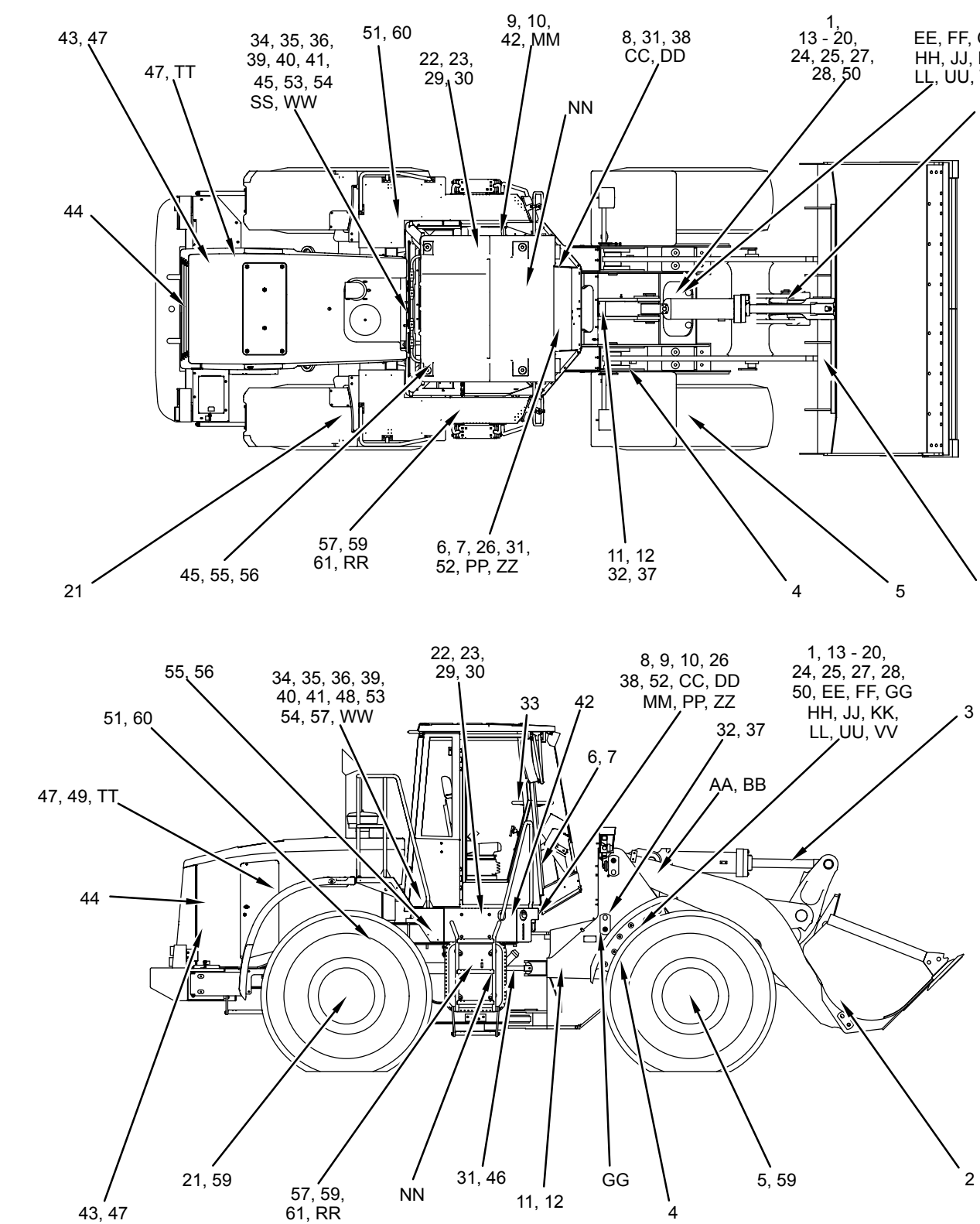


Chart D
966G II and 972G II Hydraulic Pressure Tap Locations

Pressure Tap	Description	Schematic Location
AA	Tilt Cylinder Rod End Pressure	A3
BB	Tilt Cylinder Head End Pressure	A3
CC	Rear Service Brake Pressure	A5
DD	Front Service Brake Pressure	A5
EE	Auxiliary Pilot Pump Pressure	B1
FF	Auxiliary Pilot Pump Pressure	B1
GG	Tilt Pilot Pump Pressure	B2
HH	Tilt Pilot Pump Pressure	B3
JJ	Lift Pilot Pump Pressure	C4
KK	Lift Pilot Pump Pressure	C4
LL	Pilot Pump Pressure	C5
MM	Service Brake Accumulator Pressure	C6
NN	Implement Pump Pressure	D1
PP	Steering Pump Pressure	E2
RR	Fluid Sampling Valve	E2
SS	Steering Pilot Pressure	E6
TT	Fan Drive Pump Pressure	E3
UU	Steering Control Valve Neutral Pilot Pressure	E4
VV	Steering Pilot Pressure	F4
WW	Steering Pilot Pressure	F6
ZZ	Steering Signal Pressure	F5