

A New Timer Control Group Is Available {7418}

Track-Type Tractor:

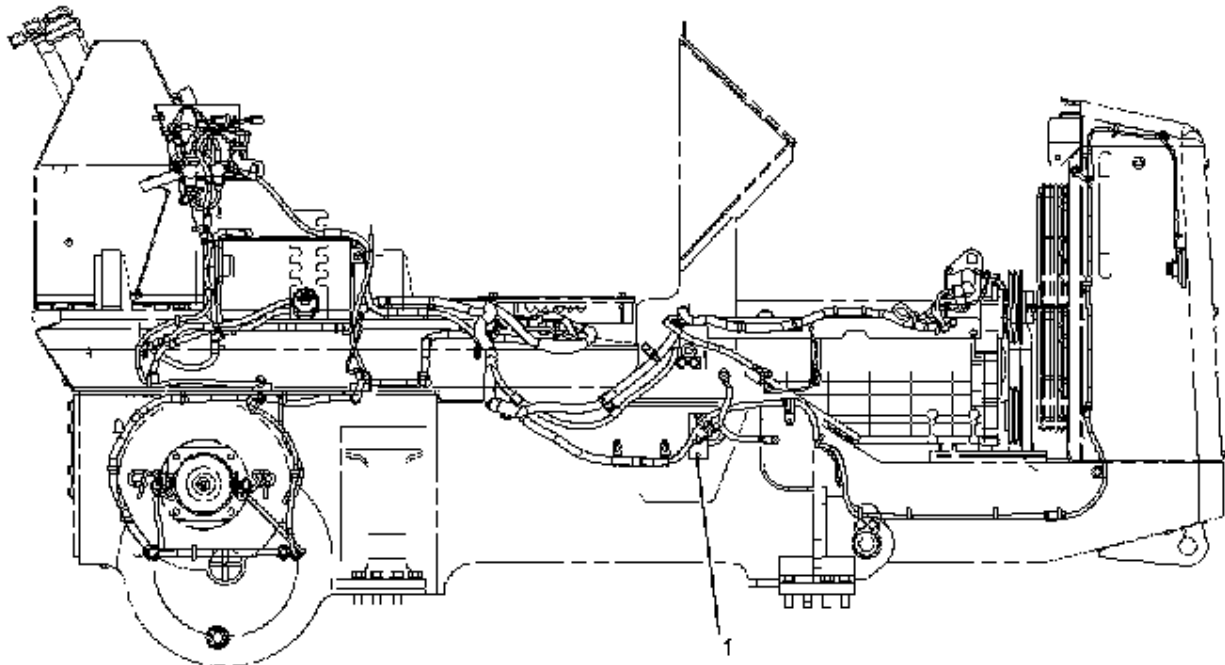
D3G (S/N: CKA1-UP; CLB1-UP; CFC1-UP; CFF1-UP)

D4G (S/N: FDC1-UP; CFN1-UP)

D5G (S/N: CLF1-UP; FDH1-UP; CLW1-UP; FDW1-UP)

Description of Change: A new timer control group is available. The new timer control group will increase the reliability of the engine shutdown circuit.

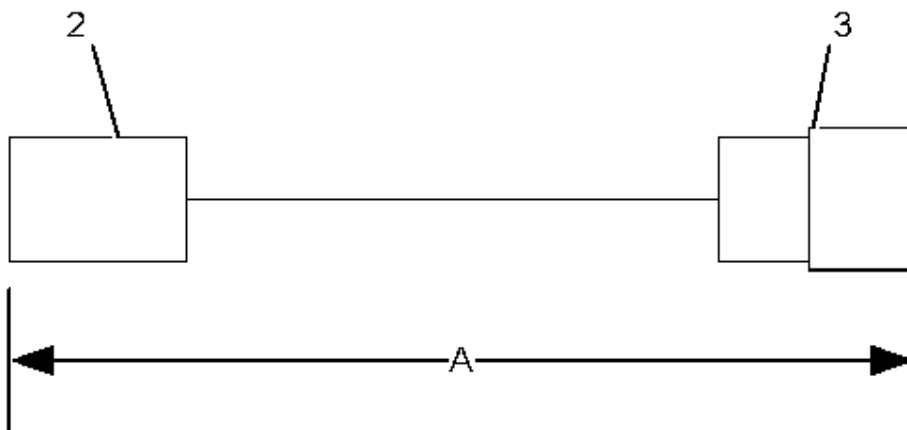
Adaptable To: The **154-3630** Timer Control Gp replaces the **189-4919** Relay As or the **237-2534** Timer Relay. The new timer control group is adaptable to the machines that are listed above.



Battery and Wiring Gp (Left Side View)

(1) Location of Timer Relay

When you install the new timer control group, you will need to create a simple jumper harness in order to connect the timer control group to the existing wiring harness. Refer to Illustration 2, Table 1, and Table 2.



Jumper Harness

(2) 155-2274 Connecting Plug Kit

(3) 102-8805 Receptacle Kit

(A) 100 mm (3.94 inch)

Table 1

Wiring for 155-2274 Connecting Plug Kit	
Pin Number	Wire Color
1	Pink
2	Black
3	Plug
4	Yellow
5	Green
6	Plug

Table 2

Wiring for 102-8805 Receptacle Kit	
Pin Number	Wire Color
1	Pink
2	Black
3	Green
4	Yellow
5	Plug
6	Plug