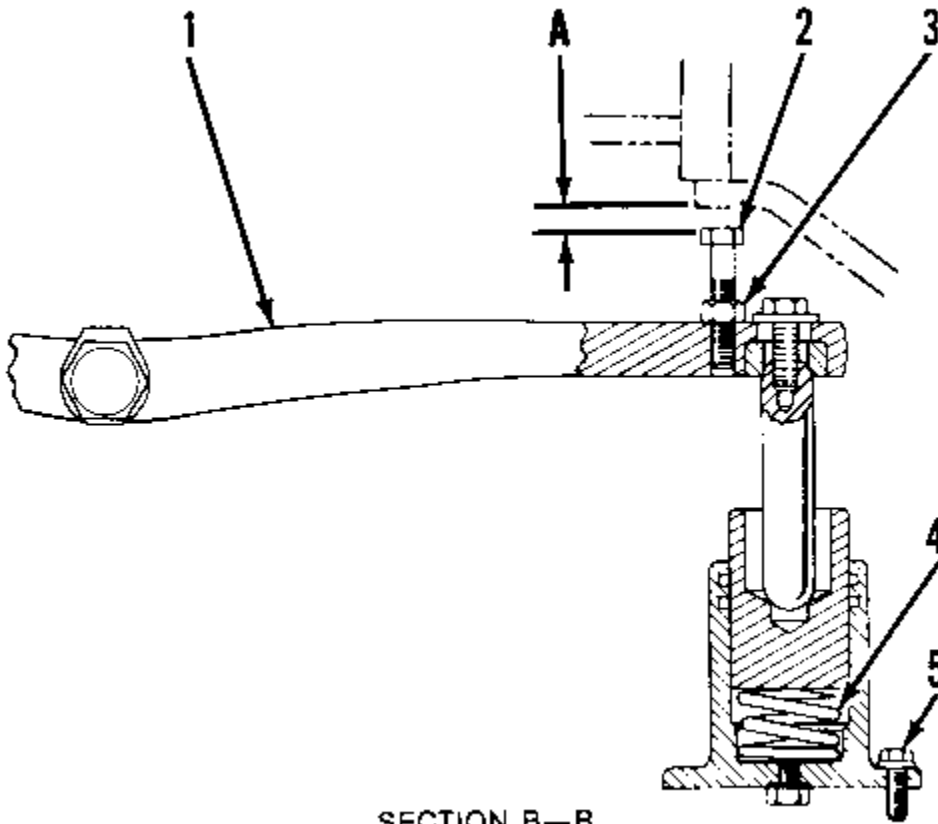


Specifications

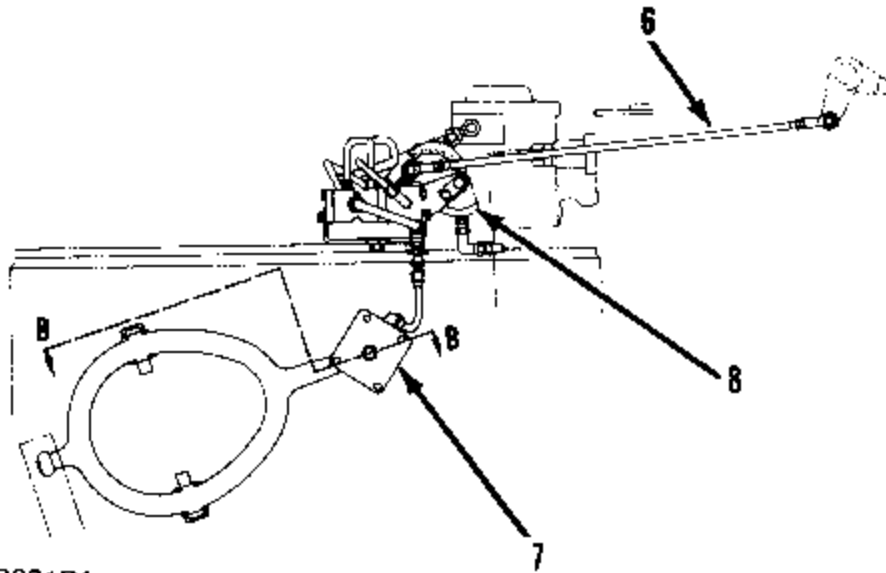
D3C, D4C AND D5C SERIES III TRACTORS POWER TRAIN

Steering Clutch Control Group



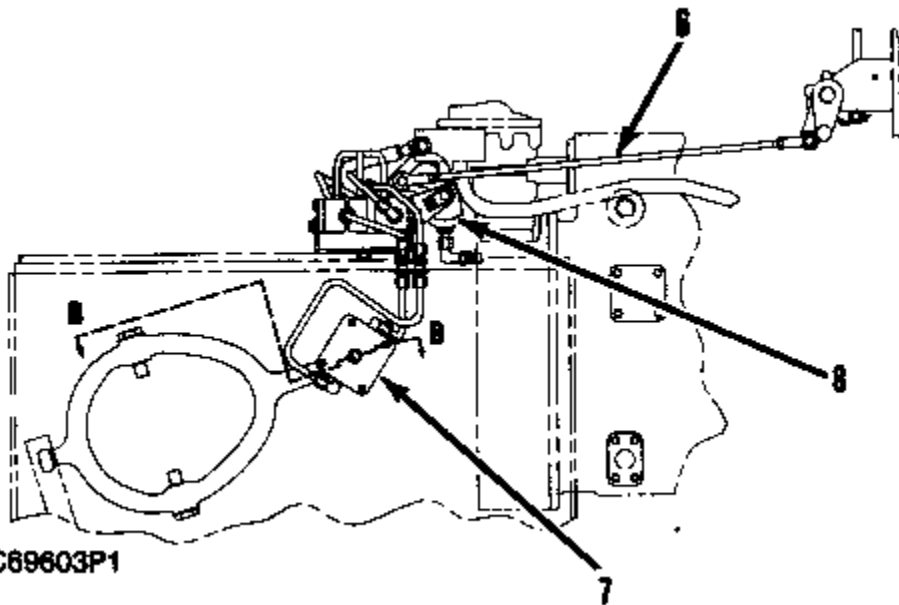
C14732P1

SECTION B—B



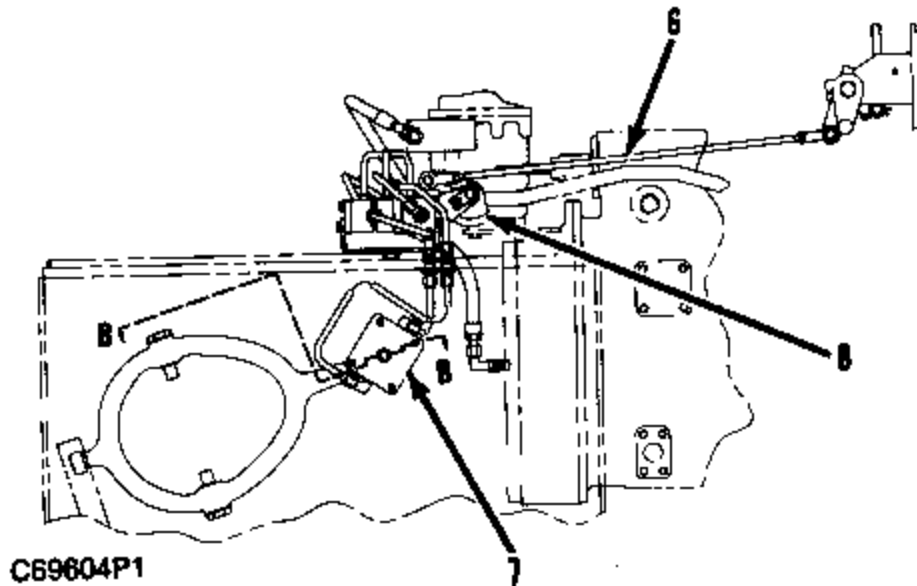
C69601P1

D3C (6SL, 7XL)



C69603P1

D4C (6YL, 7SL)



D5C (9DL, 6ZL)

NOTE: The above illustrations are of vehicles equipped with pedal steering. Hoses, tubes and routings are different on vehicles equipped with hand steering.

Torque for all 3/8 in locknuts that hold the rod ends in place on the rods ... $17 \pm 4 \text{ N}\cdot\text{m}$ ($13 \pm 3 \text{ lb ft}$)

(1) At assembly, apply 5P0960 Multipurpose Grease to all spherical surfaces on yoke.

(4) 8J6785 Spring:

Length under test force ... 32.0 mm (1.26 in)

Test force ... $46 \pm 4 \text{ N}$ ($10.3 \pm .8 \text{ lb}$)

Free length after test ... 52.3 mm (2.06 in)

Outside diameter ... 49.43 mm (1.946 in)

(5) At assembly, apply 5P3413 Pipe Sealant to threads.

(7) At assembly, apply 7M7260 Liquid Gasket to the common faces of cylinder and steering clutch case.

(A) Dimension between steering clutch housing and head of bolt (2) ... $8.0 \pm 1.5 \text{ mm}$ ($.31 \pm .06 \text{ in}$)

Steering Clutch Adjustment



When adjusting the steering clutches, the brakes must be released. Put blocks in front of and behind both tracks to prevent machine movement during steering clutch adjustment.

NOTE: The adjustments to the left steering clutch are the same as the adjustment to the right steering clutch.

1. Release the brake pedals.
2. Make sure there are no bent linkages.
3. Loosen nut (3) and adjust bolt (2) to obtain dimension (A) between steering clutch housing and head of bolt. Tighten nut (3).
4. With the pedals against stop, adjust the length of rod (6) so there is a clearance of 0.75 ± 0.75 mm ($.029 \pm .029$ in) between cam (8) and the roller on the end of the valve group.

NOTE: On vehicles equipped with hand steering, the steering levers must be against the stop.