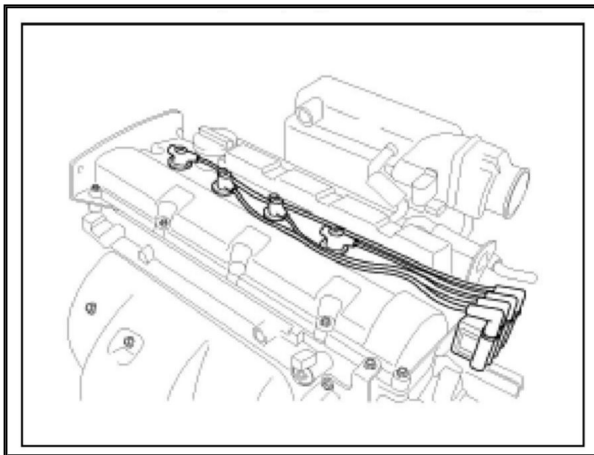


[Select Vehicle](#) | [New TSBs](#) | [Technician's Reference](#)

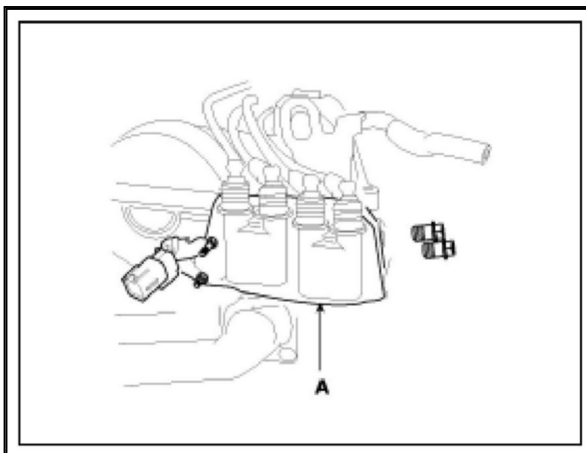
Component Search:

 **2006 Kia Spectra L4-2.0L**[Vehicle Level](#) → [Powertrain Management](#) → [Ignition System](#) → [Ignition Coil](#) → [Service and Repair](#) ←**Service and Repair****REPLACEMENT****IGNITION COIL**

1. Remove the engine cover.



2. Disconnect the spark plug cables and the ignition coil connector.



3. Remove the ignition coil (A).
4. Installation is the reverse of removal.

© 2010 ALLDATA LLC. All rights reserved.  
[Terms of Use](#)