

Rear Suspension  [Printable View \(447 KB\)](#)

Safety Precautions

⚠ WARNING: All vehicles are equipped with gas pressurized shock absorbers which will extend unassisted. Do not apply heat or flame to the shock absorbers during removal or component servicing. Failure to follow these instructions can result in personal injury.

⚠ CAUTION: Suspension fasteners are important parts because they affect performance of vital components and systems and their failure can result in major service expense. A new part with the same part number, or an equivalent part, must be installed if installation is necessary. Do not use a new part of lesser quality or substitute design. Torque values must be used as specified during reassembly to make sure of correct retention of these parts. Never attempt to heat, quench or straighten any suspension part. Install a new part.

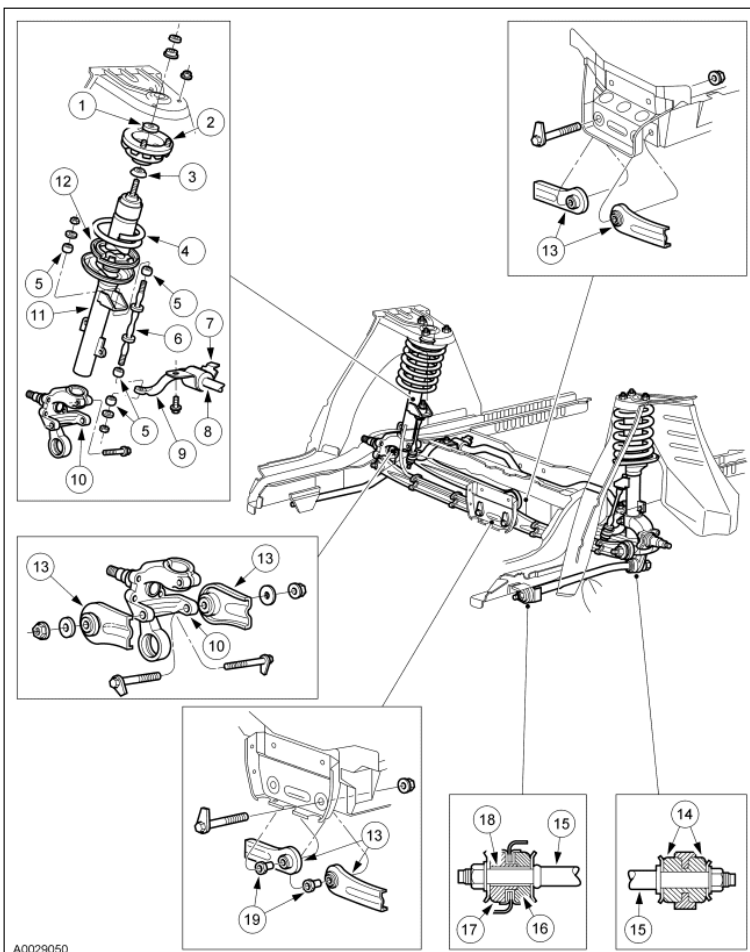
Always observe the above safety precautions when servicing the vehicle suspension system.

Suspension Components

Four Door

The four door uses a McPherson independent strut rear suspension system consisting of the following components.

Four Door Rear Suspension Components



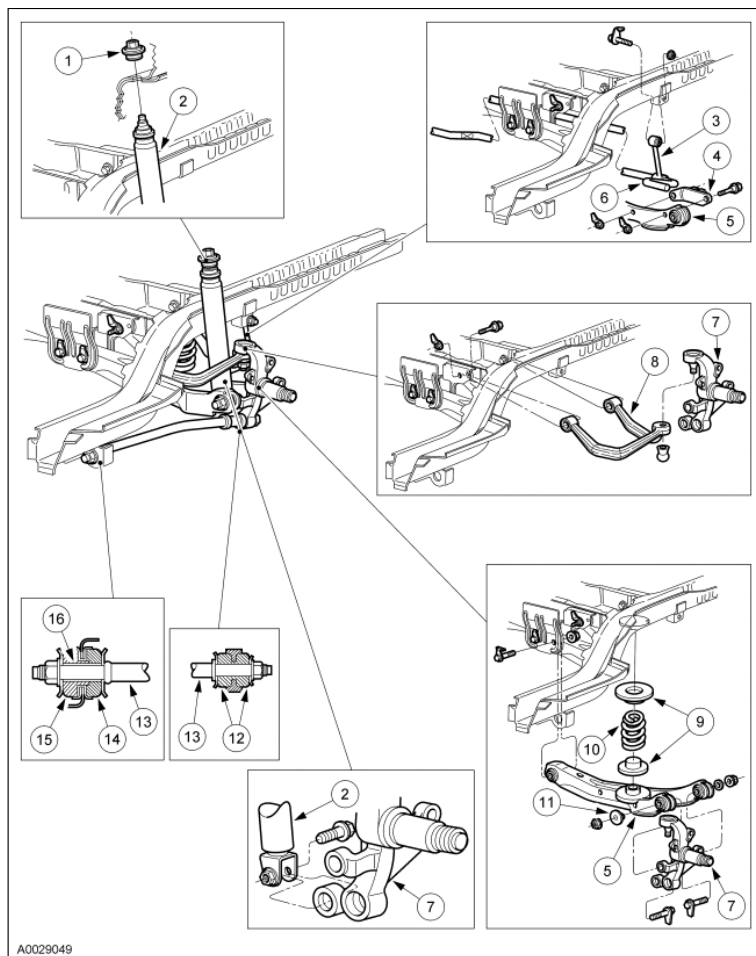
Item	Part Number	Description
1	N804232-S100	Cupped washer
2	18192	Strut upper mount
3	W706671-S430	Dished washer

4	5560	Spring
5	5493	Stabilizer bar link bushing (8 required) (Excluding 4-door vehicles built after 12/01/2003)
6	5664	Stabilizer bar link (Excluding 4-door vehicles built after 12/01/2003)
7	—	Stabilizer bar bracket (part of 5A771) (Excluding 4-door vehicles built after 12/01/2003)
8	—	Stabilizer bar bushing (part of 5A771) (Excluding 4-door vehicles built after 12/01/2003)
9	5A771	Stabilizer bar assembly (Excluding 4-door vehicles built after 12/01/2003)
10	4A013	Wheel spindle
11	18125	Strut
12	5K617	Spring mounting insulator
13	5500	Lower control arm
14	5K897	Tension strut-to-spindle bushing (4 required)
15	5A952	Tension strut
16	5B547	Tension strut body end bushing, inner (2 required)
17	5A959	Tension strut body end bushing, outer (2 required)
18	—	Sleeve (2 required)
19	5K751	Adjusting cam

Station Wagon

The station wagon uses a short-long arm (SLA) independent rear suspension system consisting of the following components.

Station Wagon Rear Suspension Components

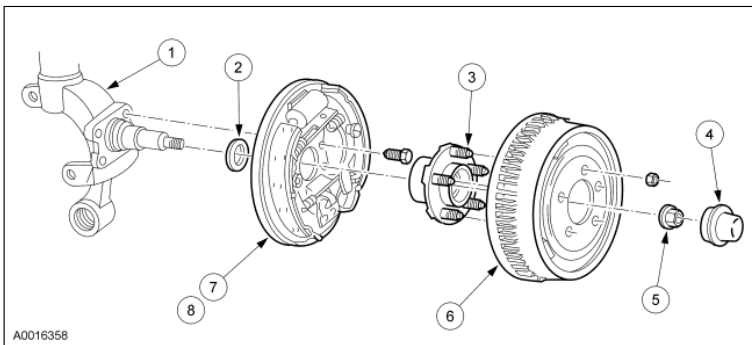


Item	Part Number	Description
1	18A192	Shock absorber upper mount
2	18125	Shock absorber assembly
3	5664	Stabilizer bar link
4	5486	Stabilizer bar bracket
5	5A649	Lower control arm assembly
6	5A771	Stabilizer bar

7	4A013	Wheel spindle
8	5500	Upper control arm assembly
9	5536	Spring insulator
10	5560	Spring
11	5K751	Adjusting cam
12	5K897	Tension strut-to-spindle bushing (4 required)
13	5A952	Tension strut
14	5B547	Tension strut body end bushing, inner (2 required)
15	5A959	Tension strut body end bushing, outer (2 required)
16	—	Sleeve (2 required)

Wheel Assembly

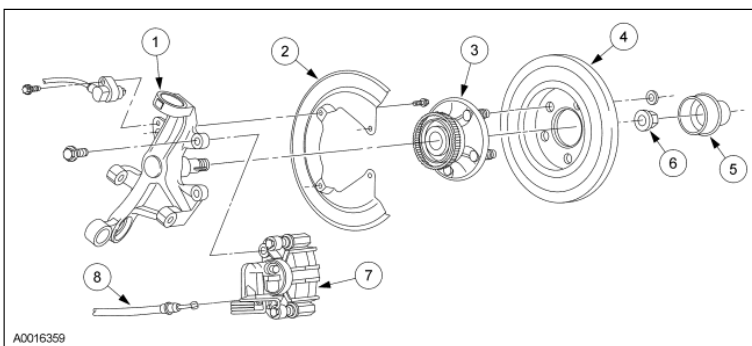
Wheel Assembly — Four Door



A0016358

Item	Part Number	Description
1	4A013	Wheel spindle
2	—	Gasket
3	1104	Wheel hub
4	1249	Wheel hub grease seal
5	4B477	Wheel hub retainer
6	1126	Brake drum
7	2209	Brake assembly
8	2210	Brake assembly

Wheel Assembly — Station Wagon



A0016359

Item	Part Number	Description
1	4A013	Wheel spindle
2	2C028	Disc brake shield
3	1104	Wheel hub
4	2C026	Rear brake disc
5	1249	Wheel hub grease seal
6	4B477	Wheel hub retainer
7	2552	Disc brake caliper
8	2A635	Parking brake rear cable and conduit

