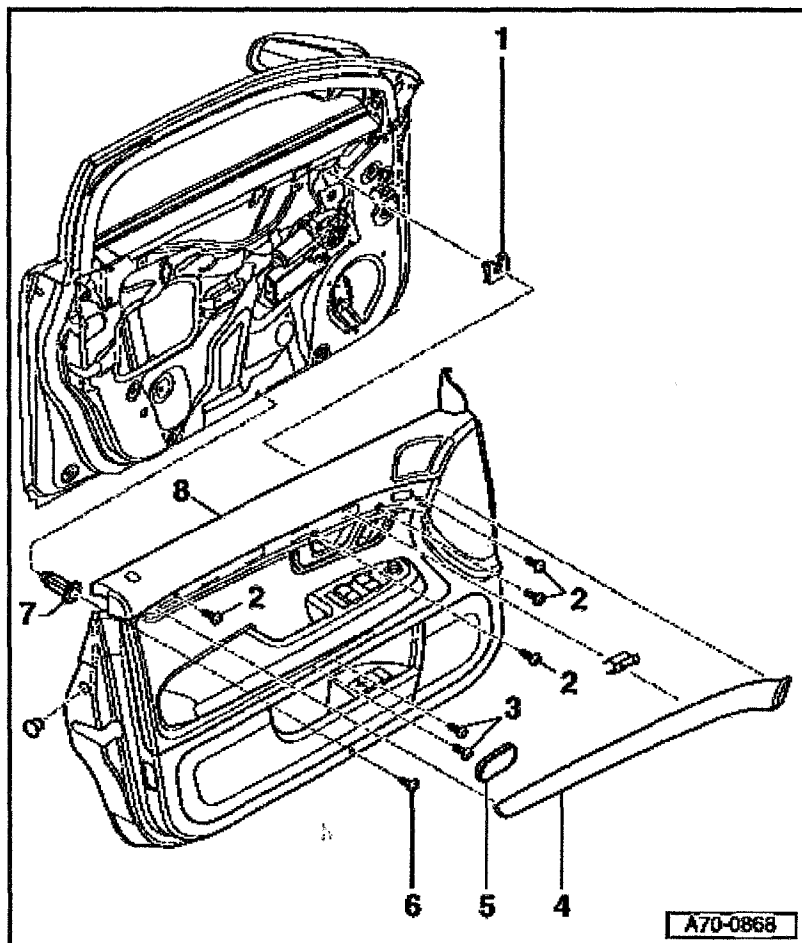


Front Door Panel: Removal and Replacement

Front Door Trim, Removing and Installing

Front Door Trim, Removing And Installing



1. Speed nut (4x)
2. Bolt (4x)
3. Screws (2x)
4. Decorative panel
5. Armrest, lower part
6. Bolt
7. Expanding nut (4x)
8. Door trim

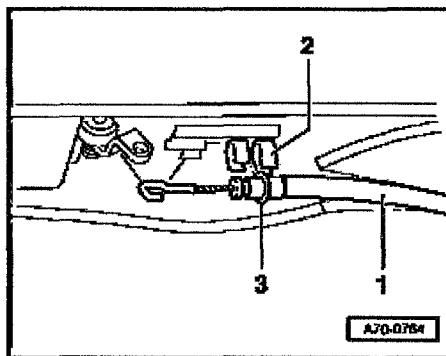
- Removing:

- Remove lower part of armrest - 5 -.
- Remove bolts - 3 - (2x) from door trim - 8 -.
- Remove bolts - 6 - from door trim - 8 -.
- Unclip decorative panel - 4 -.
- Remove decorative panel - 4 - toward front.
- Remove bolts - 2 - (4x) from door trim - 8 -.
- Unclip door trim - 8 -.
- Raise door trim - 8 - upward approx. **20 cm** out from door shell.
- Disengage Bowden cable for interior door mechanism
- Disconnect electrical harness connectors

- Installation:

Installation is performed in the reverse order of removal. Note the following:

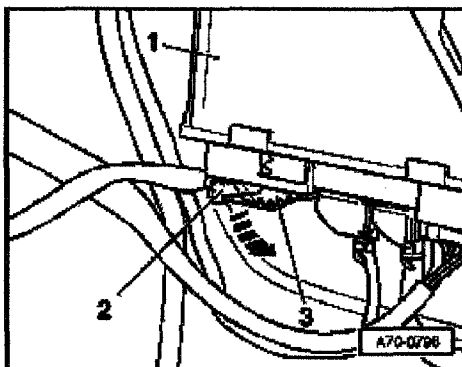
- When installing, speed nuts - 1 - (4x) for expanding nuts - 7 - (4x) must be clipped in.
- When installing, door trim must be pressed in the middle to door shell.



Disengaging Bowden cable

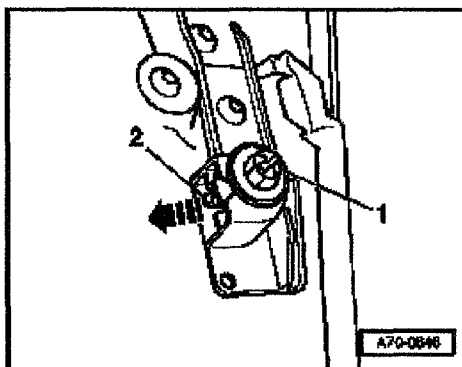
- Disconnect circlip - 3 -.
- Pull Bowden cable - 1 - out of guide - 2 - and disengage.

NOTE: When installing make sure that catch - 3 - faces upward.



Harness connector at window regulator control module

- Press catch - 2 - and disconnect harness connector - 3 - from control module in direction of arrow.
- Disconnect harness connector to bass speaker.



Securing clip for door trim

- Press catch - 2 - and remove clip - 1 - in direction of arrow.